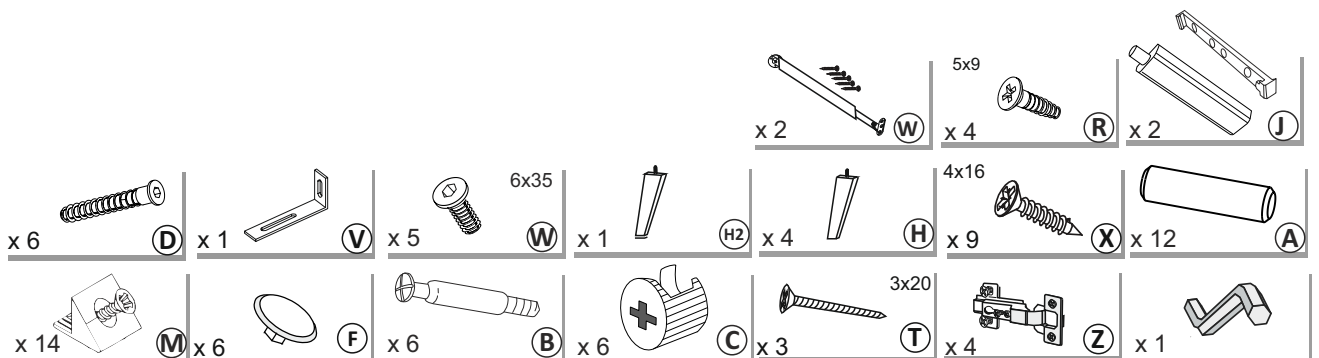
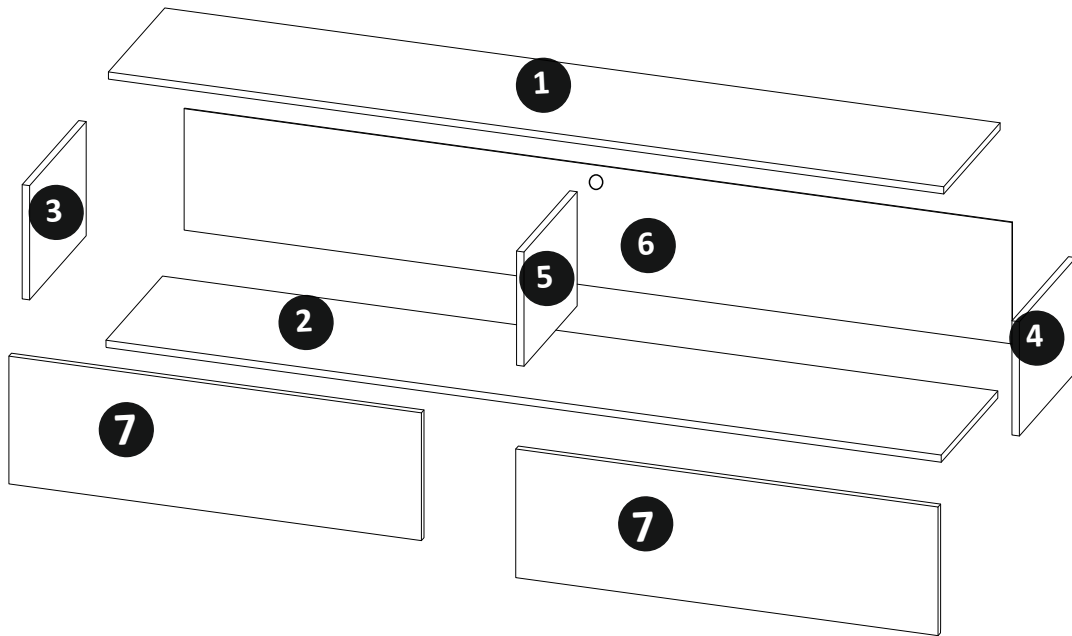
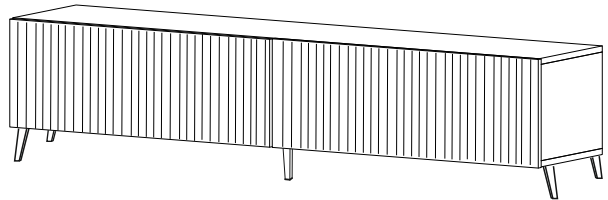
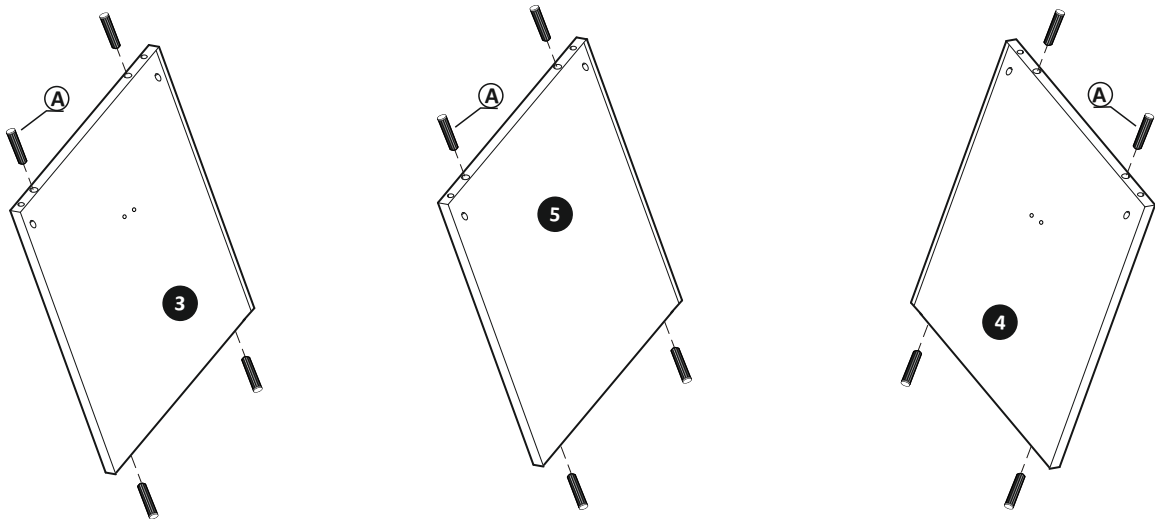
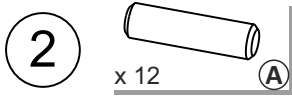
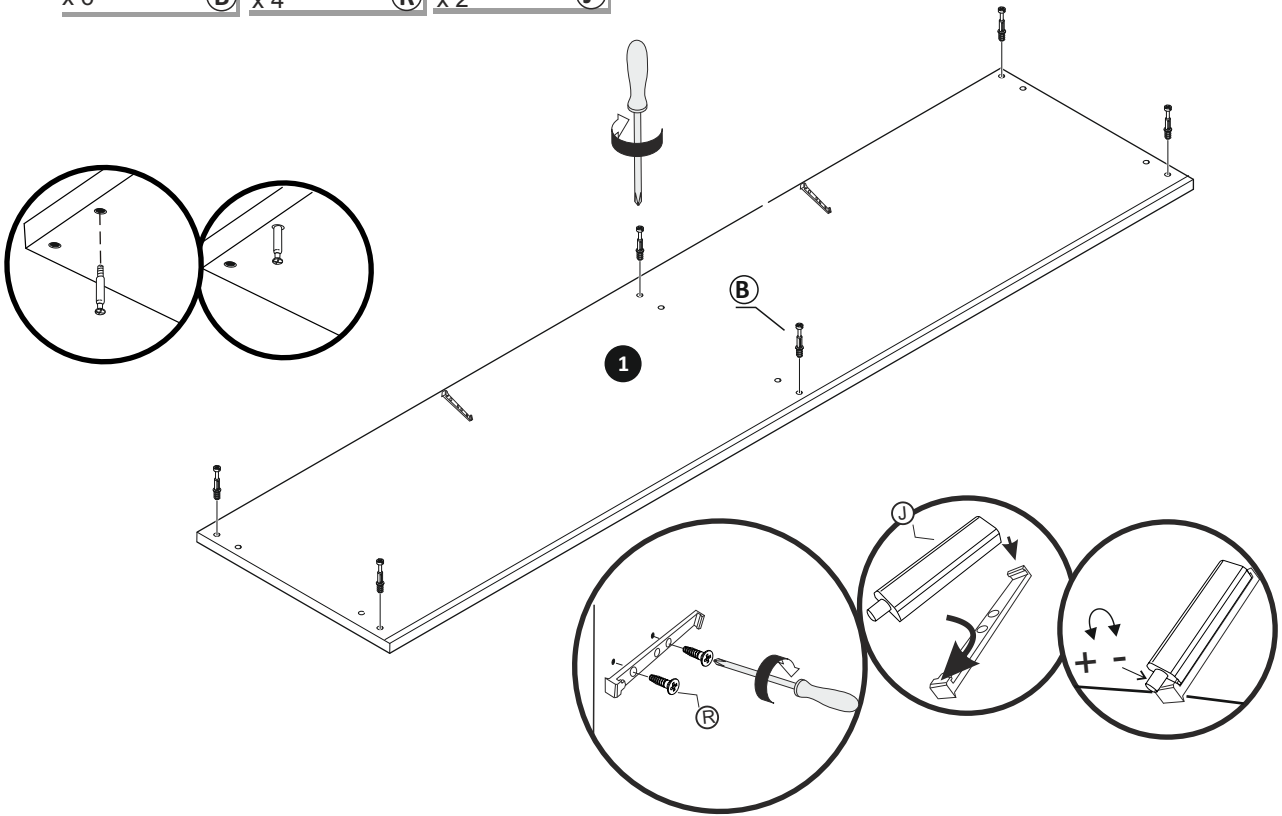
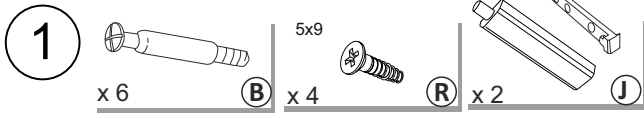


DEPARTMENT

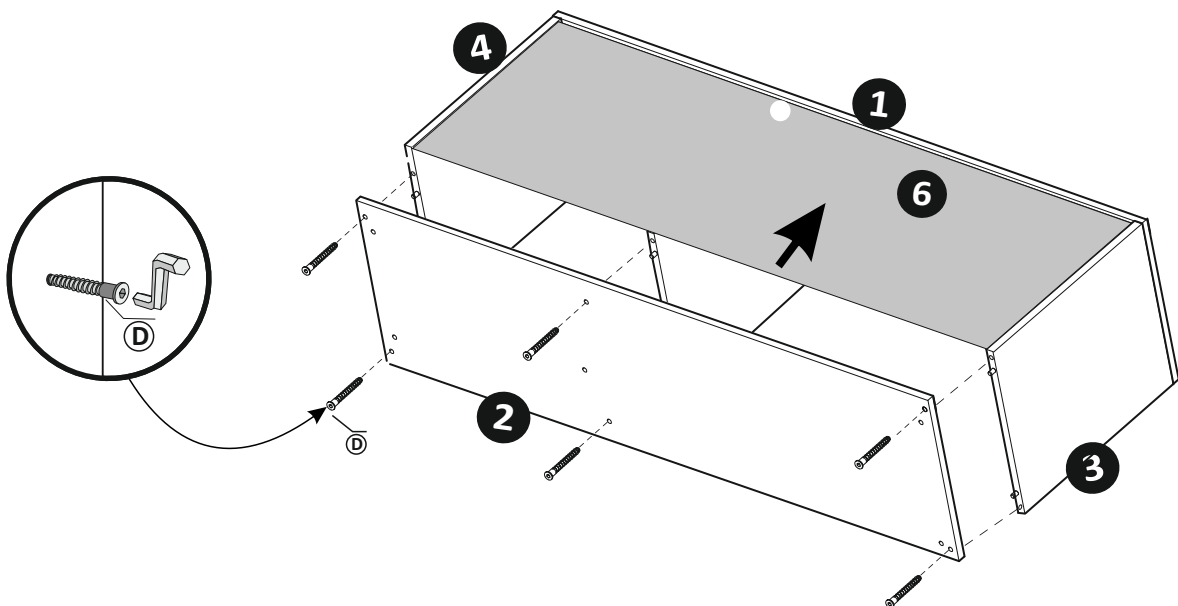
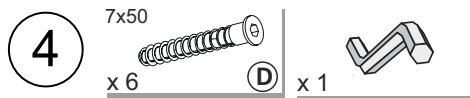
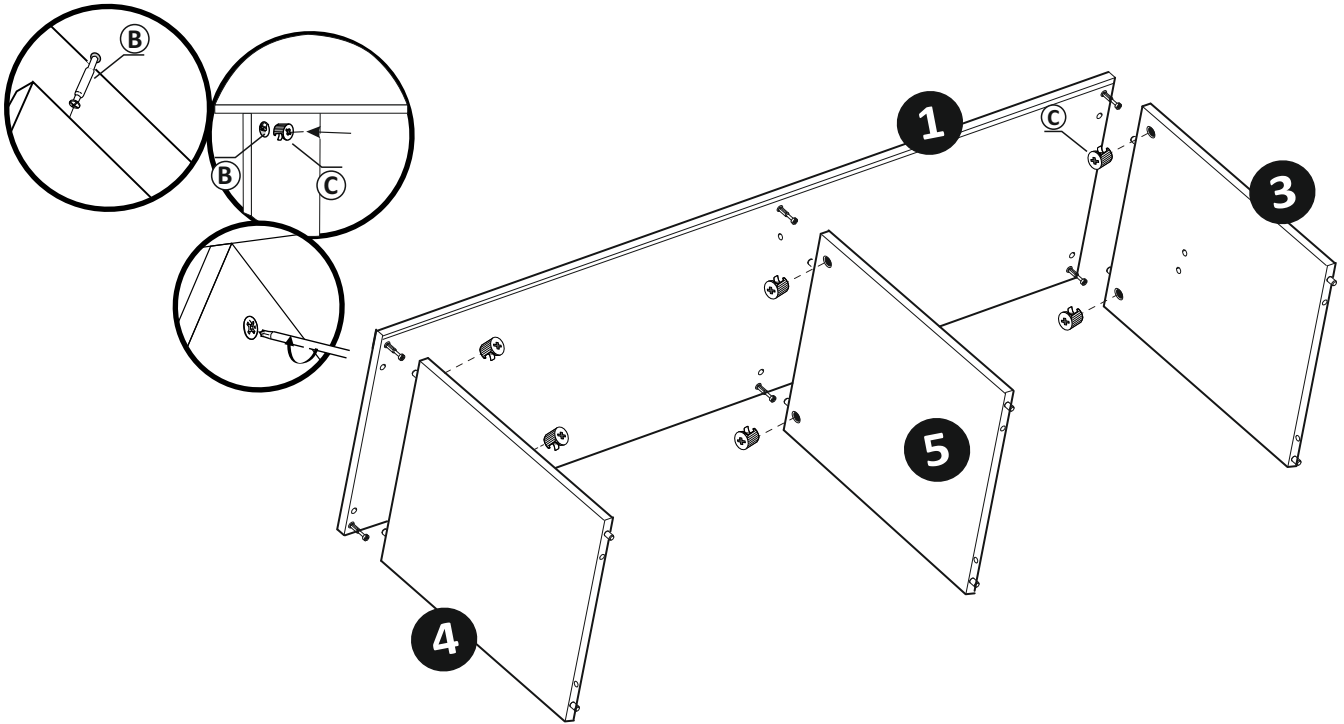
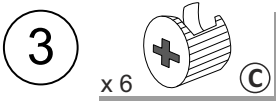
FLOW MEDIABENCH



FLOW MEDIABENCH

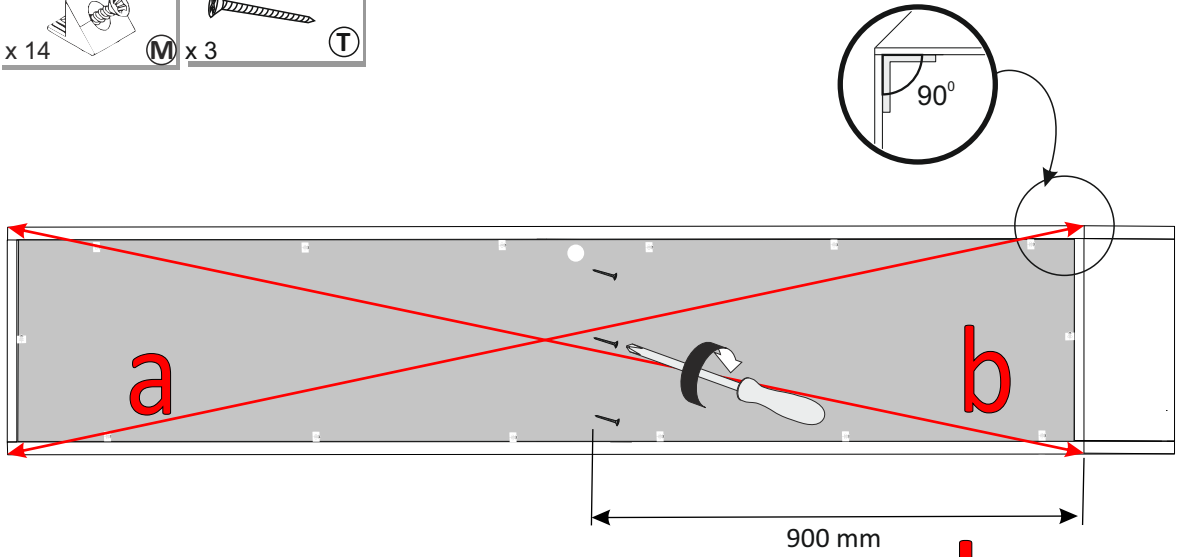
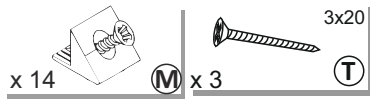


FLOW MEDIABENCH

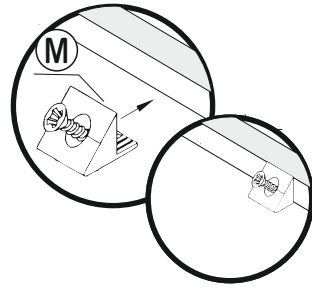


FLOW MEDIABENCH

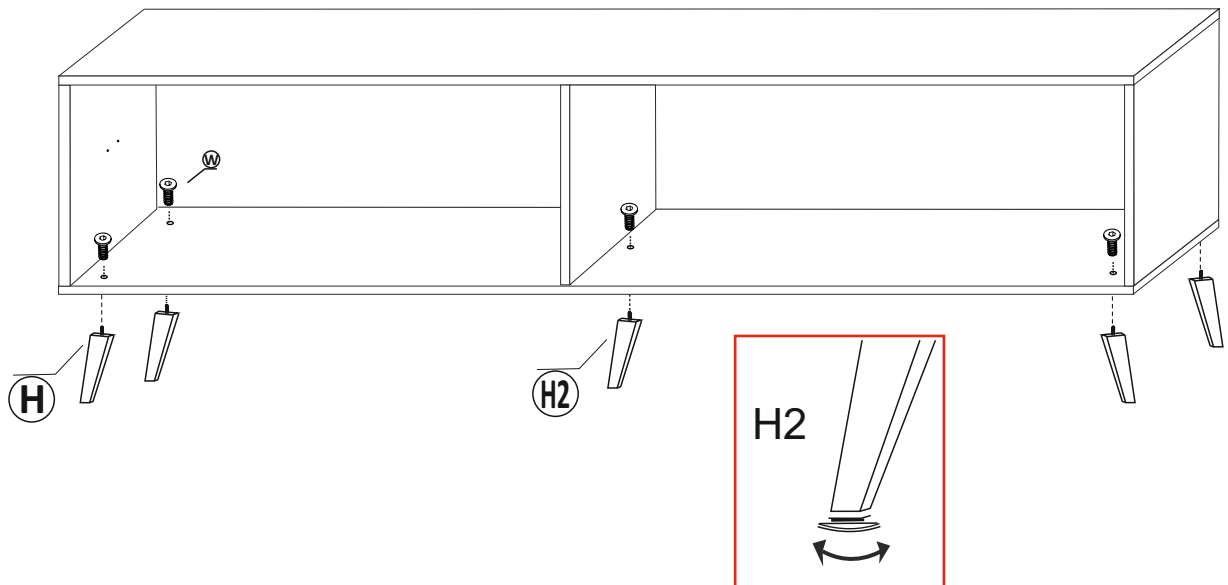
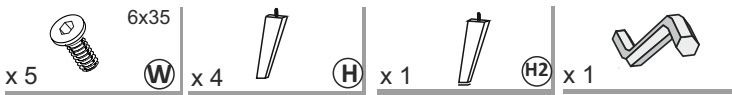
5



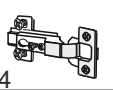
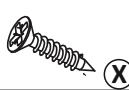
a=b

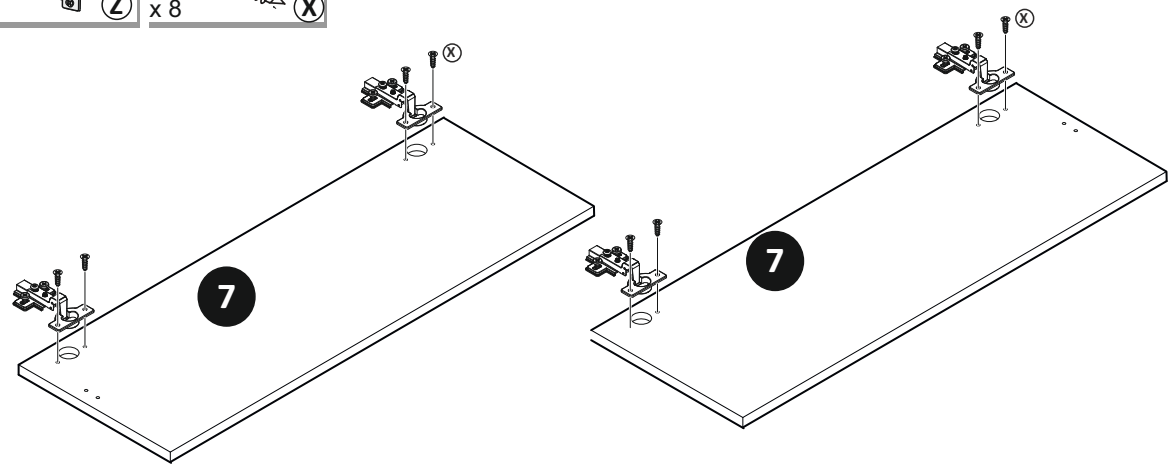


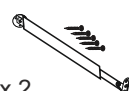

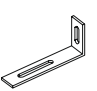
6



FLOW MEDIABENCH

- 7 x 4   4x16
 Z x 8 X



- 8 x 2  x 6  x 1  4x16
 W x 6 F V x 1 X

