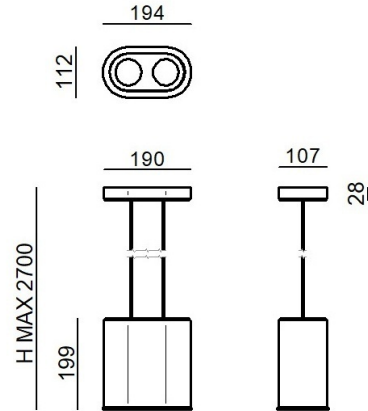


Pendant Luminaires | 198-264 V
1 arrayLED 18 W DC - 20 W AC | CRI 90
CZ153DCTMWF



| Technical data | |
|--|--------------------|
| Designer | Gae Aulenti |
| Construction year | 2026 |
| Type | Pendant Luminaires |
| Installation position | Ceiling |
| Installation environment | Indoor |
| Light Source | LED |
| Circuit structure | arrayLED |
| Optics | Wide Flood |
| Light emission direction | downward |
| Nominal power | 18 W DC |
| Total Power | 20 W |
| Source lumens | 1935 lm |
| Nominal input voltage | 220 - 240 V AC |
| Input voltage range | 198 - 264 V AC |
| Frequency | 50 - 60 Hz |
| CCT / Tone | 2700 K |
| Colour rendering index | 90 Ra |
| C.C. / C.V. | AC |
| Safety class | 1 |
| IP | IP20 |
| Glow wire test | 650° |
| Direct mounting on normally flammable surfaces | Yes |
| CE | Yes |
| Driver included | Driver |
| Dimmable article | Phase cut |
| Directional | No |
| Tilting | No |
| Walk-over | No |
| Drive-over | No |
| Cable included | Yes |
| Cable length | 2.5 m |
| Resin potting | No |
| Type of light emission | Single emission |
| Electrostatic discharge protection | No |
| Surge protection | No |

Finishing Finishing casing

| | |
|------------|-----------|
| Material | Aluminium |
| Processing | Coating |

Finishing Finishing diffuser

| | |
|----------|-------------|
| Material | PMMA |
| Colour | Transparent |

Finishing Finishing mounting frame

| | |
|------------|-----------|
| Material | Aluminium |
| Processing | Coating |

Cables Electrification+suspension

| | |
|------------------|---------|
| Max cable length | 2500 mm |
|------------------|---------|

Pendant Luminaires | 198-264 V | 1 arrayLED 18 W DC - 20 W AC | CRI 90 | Base
CZ153DCTMWF

Single emission pendant luminaires for indoor application. The super warm white LED light source with a wide flood light distribution is composed of 2 topped LEDs with CCT of 2700 K and a CRI 90; the source luminous flux is 1935 lm, with a 107.5 lm/W nominal luminous efficacy.

The device body is made of aluminium, processed by means of coating; the diffuser is made of pmma; the mounting frame is made of aluminium, processed by means of coating.

The ingress protection degree is IP20;

The total absorbed power is 20 W The power supply cable is included and features a 2.5 m length.

The device features protection class I and can be ceiling-mounted.

Compliant with the EN 60598-1 standard and its specific provisions.

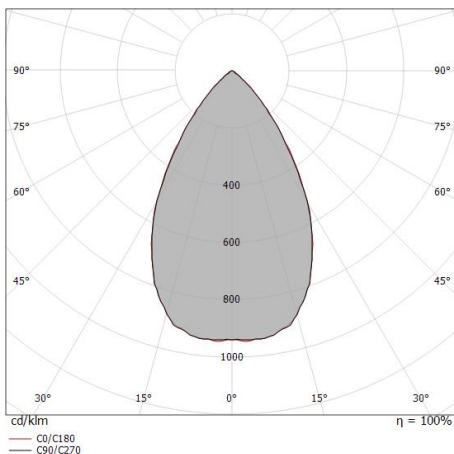
| Energy efficiency class | |
|--|--|
| This product contains a light source of energy efficiency class F. | |

| Illuminotechnical Features | |
|---|----------------|
| Light Output Ratio (LOR) | 94 % |
| Source lumens | 1935 lm |
| Delivered lumens | 1822 lm |
| Consumption | 20 W |
| Luminaire efficacy | 91 lm/W |
| Colour temperature | 2700 K |
| Standard Deviation of Colour Matching | 3 Step MacAdam |
| Colour rendering index | 90 Ra |
| Junction temperature (lighting fixture) | 80 |
| Standard Operating Ambient Temperature | 25°C |

| LED Life / Failure Ratio | |
|--------------------------|--|
| L80 B20 C0 80000h | |

| UGR | |
|-------------------|----------|
| UGR axial | 16.7 |
| UGR transversal | 16.9 |
| X=4H Y=8H | S=0.25H |
| Reflection factor | 70/50/20 |

| OPTICAL | |
|-----------------------------|-------------|
| C0/C180 optics | 63° |
| Light distribution simmetry | Symmetrical |



| | | | | |
|-----|------|----------------|-------|--------------|
| 0.5 | 0.61 | E(0°) E(C0) | 31.4° | 6849 2156 |
| 1.0 | 1.22 | E(0°) E(C0) | 31.4° | 1712 539 |
| 1.5 | 1.83 | E(0°) E(C0) | 31.4° | 761 240 |
| 2.0 | 2.44 | E(0°) E(C0) | 31.4° | 428 135 |
| 2.5 | 3.05 | E(0°) E(C0) | 31.4° | 274 86 |
| 3.0 | 3.66 | E(0°) E(C0) | 31.4° | 190 60 |

Distance [m] Cone diameter [m] Illuminance [lx]

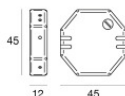
— C0/C180 (Half-peak divergence: 62.8°)

Colonna | Pendant Luminaires | Accessories
CZ153DCTMWF



Dimmer - Phase cut CASAMBI - Essential for dimming the lamp with Casambi
 Radio-frequenza, 85-240V

Code
KIT0080



Dimmer - Phase cut (Max 100W) - Essential for dimming the lamp
 220-240V

Code
KIT0026