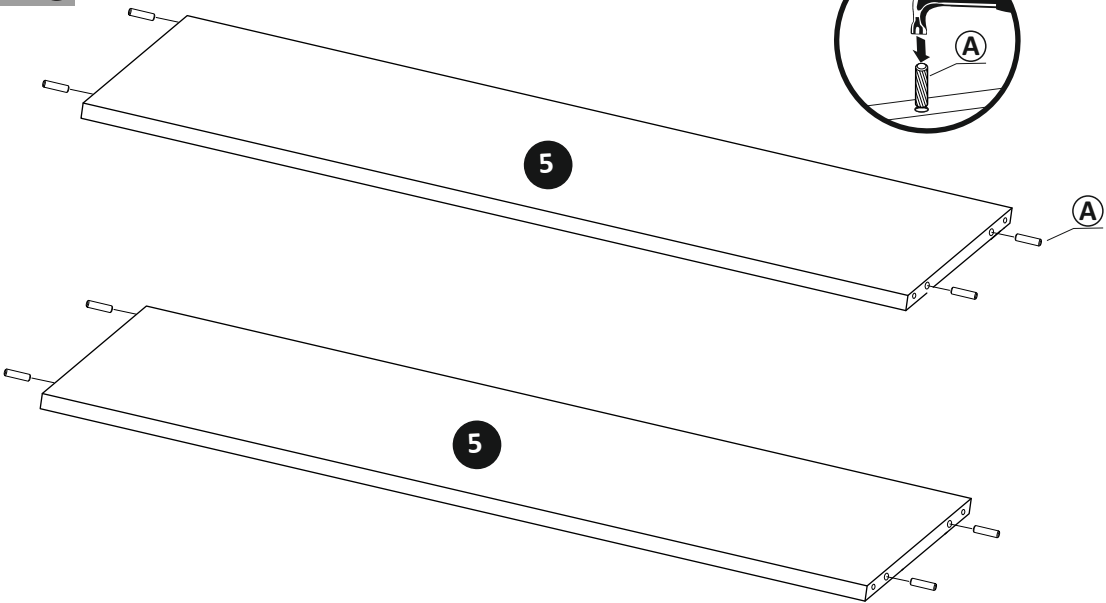
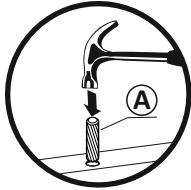


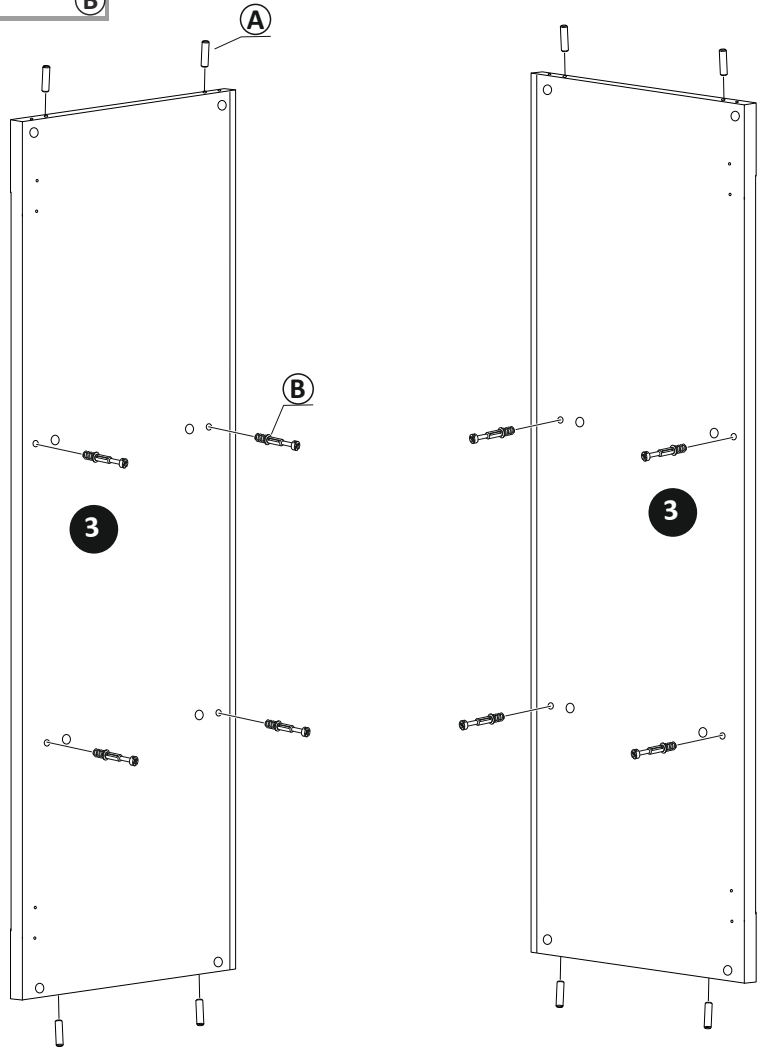
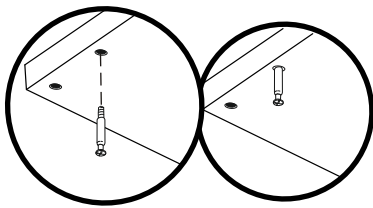
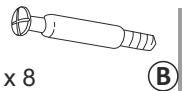


# FLOW CABINET

1

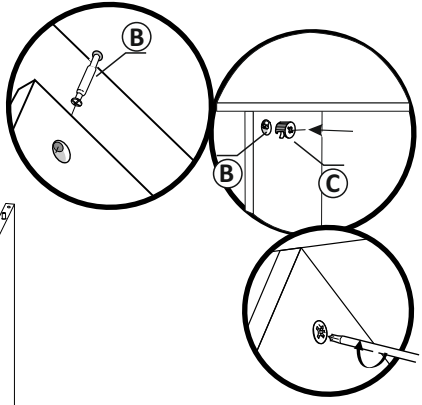
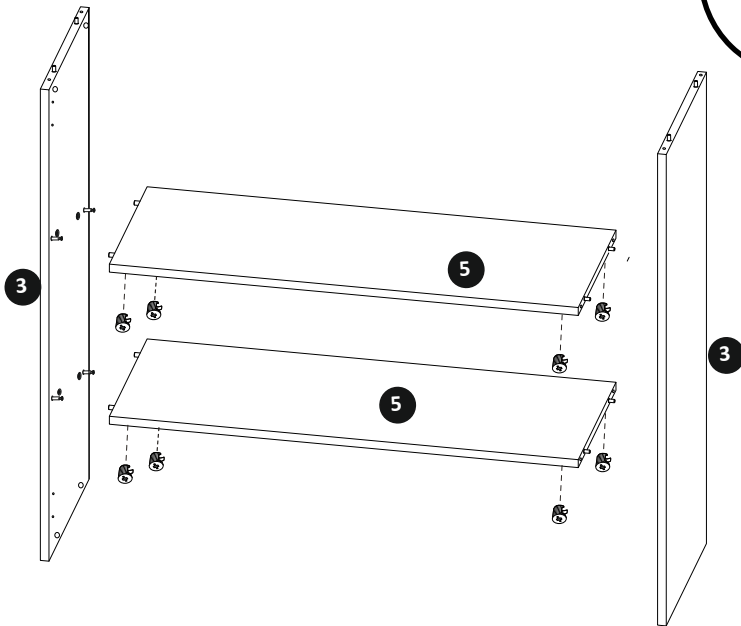


2

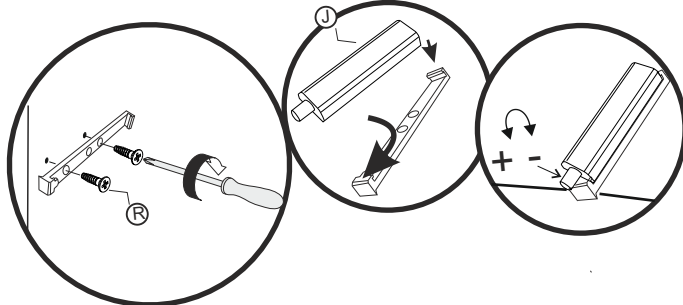
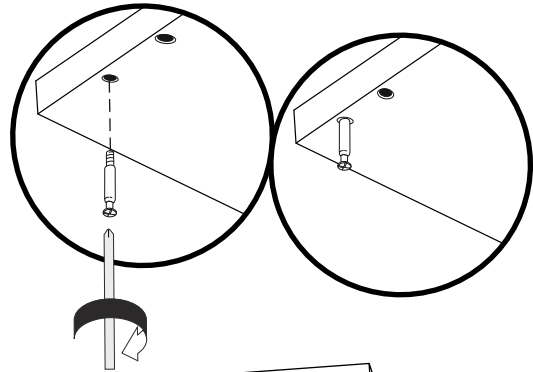
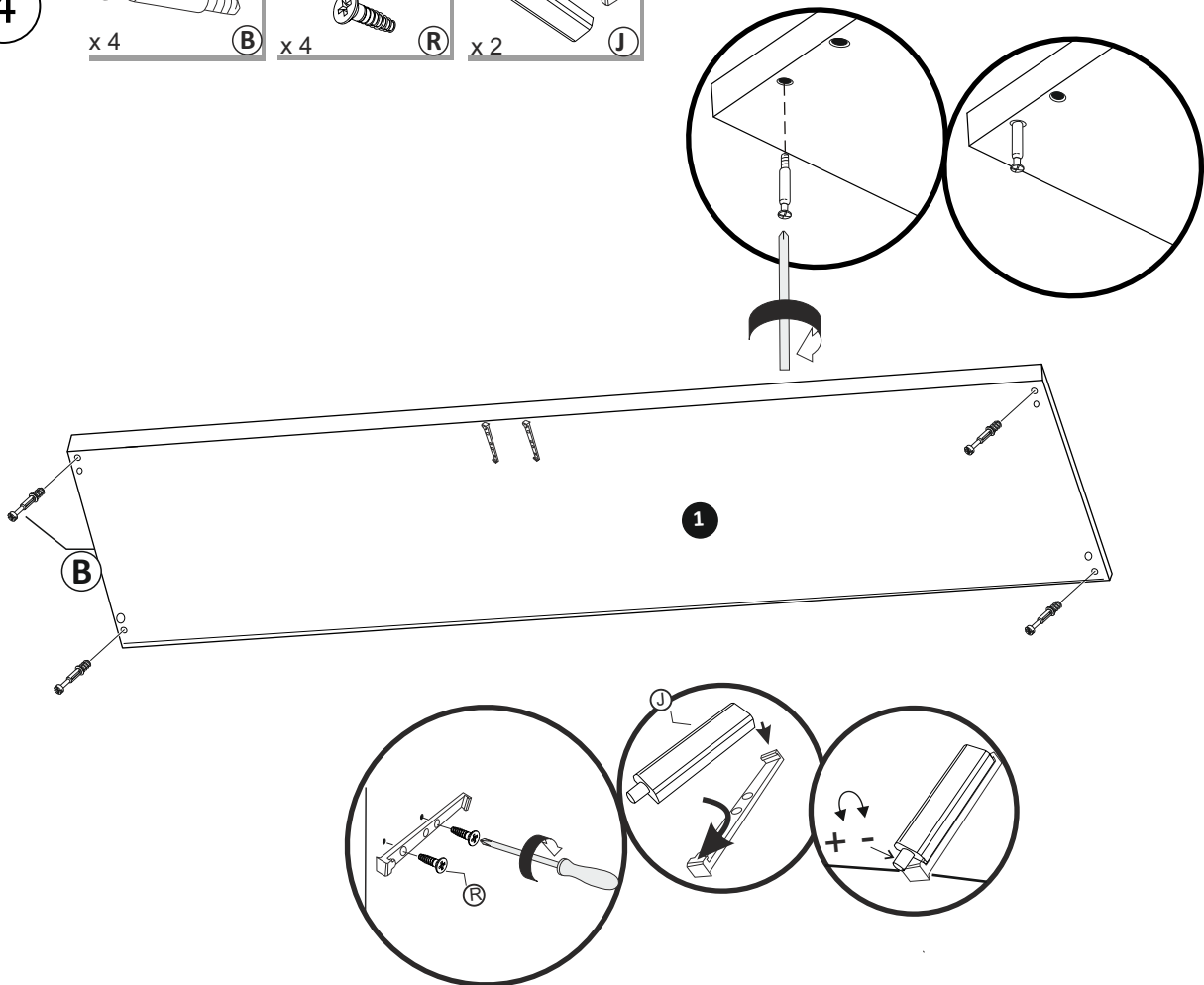
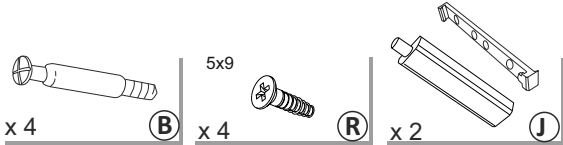


# FLOW CABINET

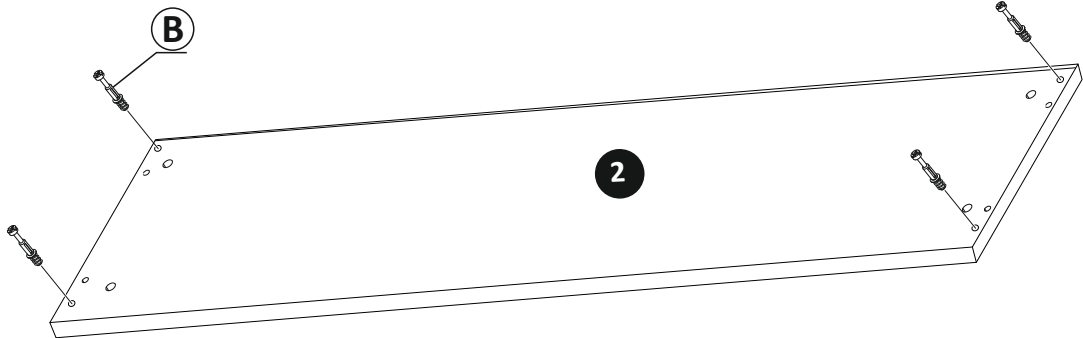
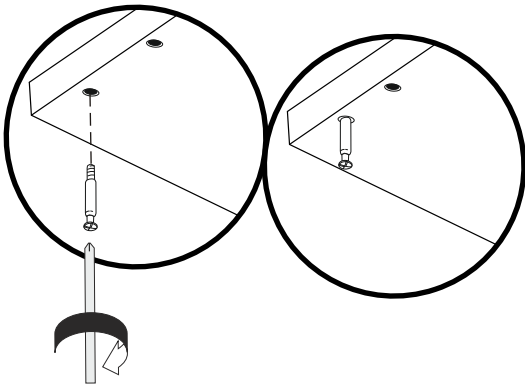
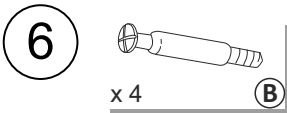
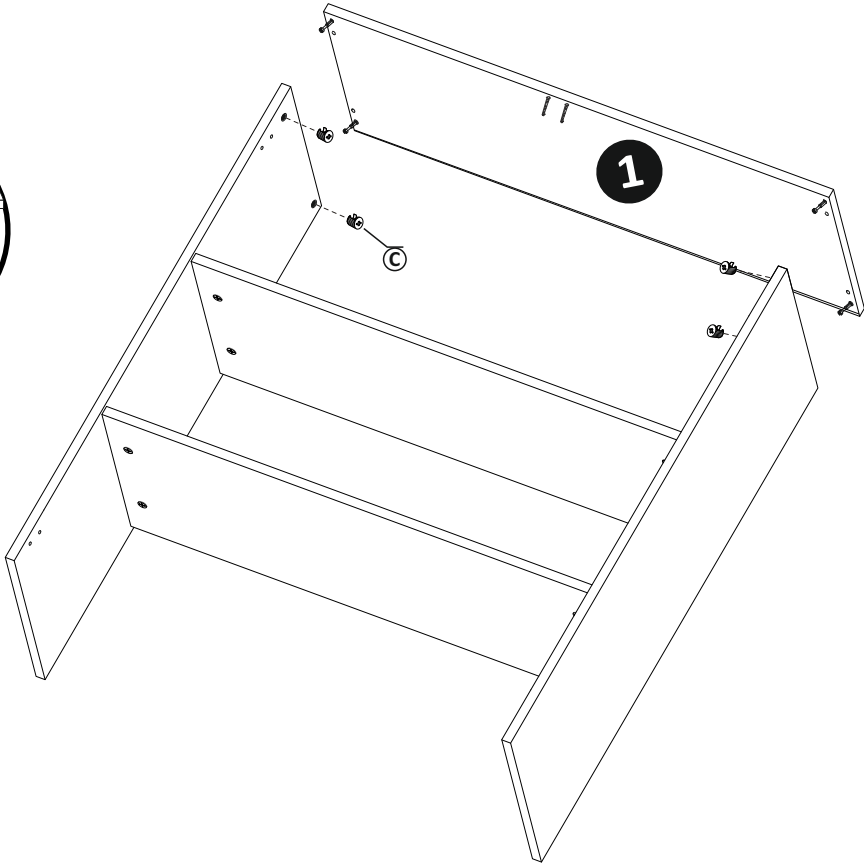
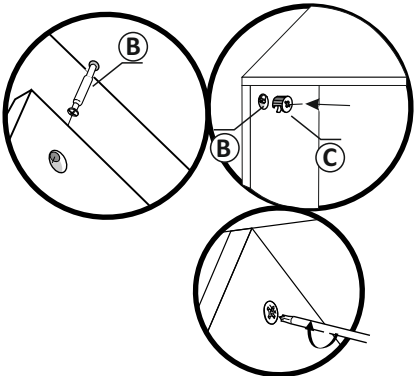
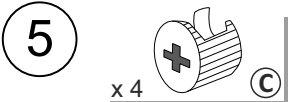
3



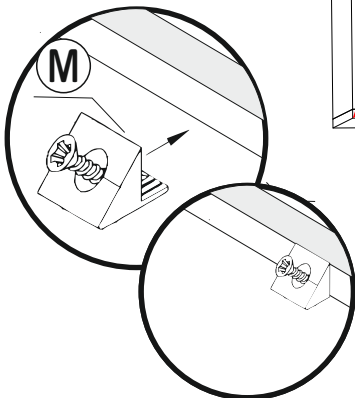
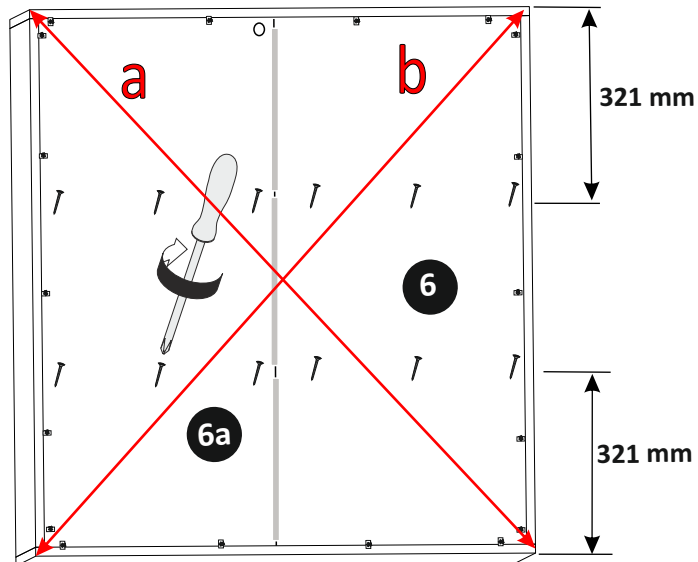
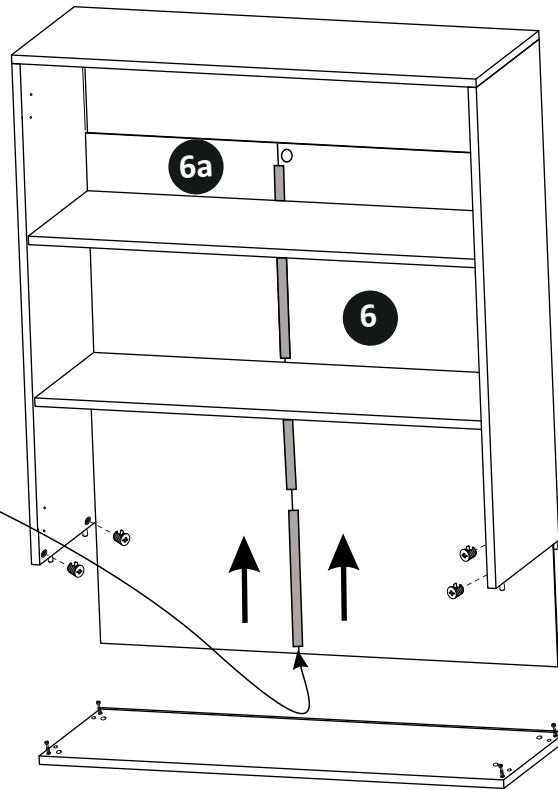
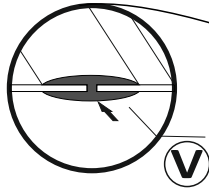
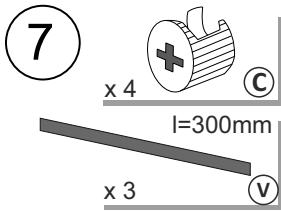
4



# FLOW CABINET

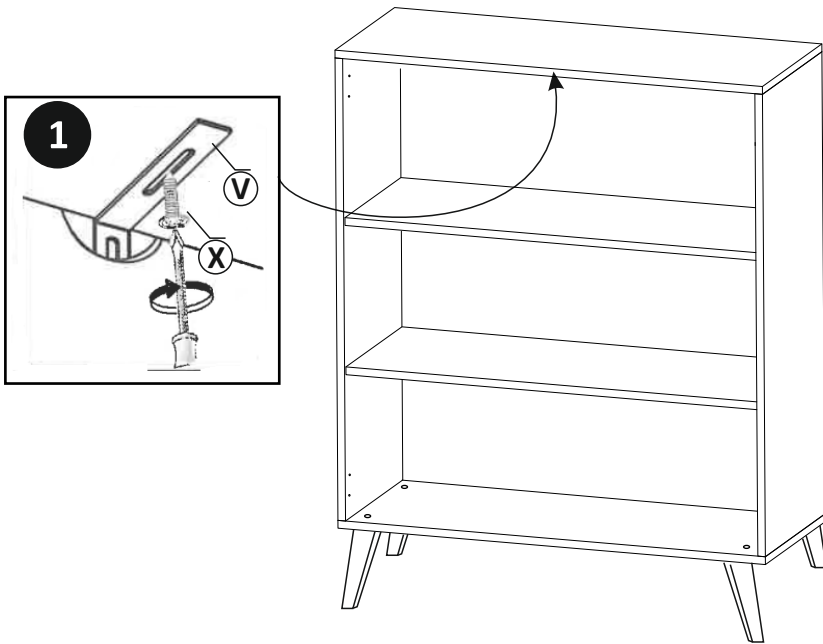
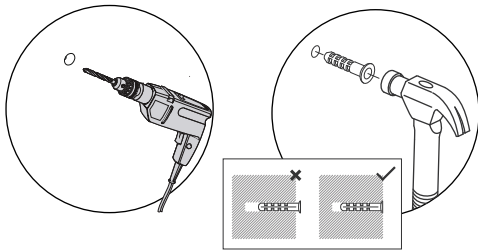
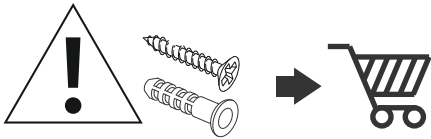
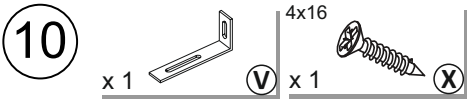
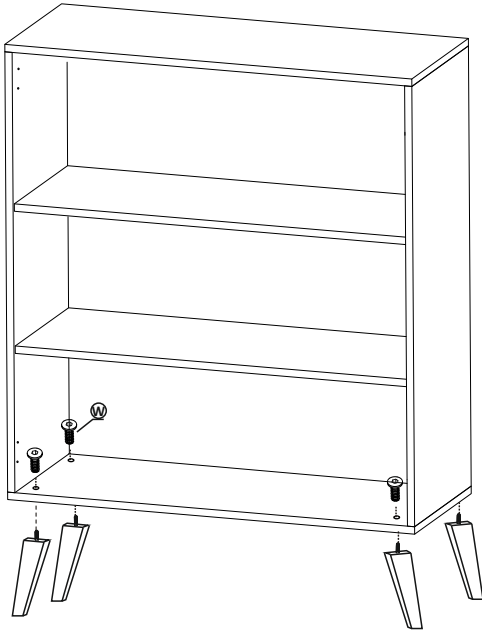
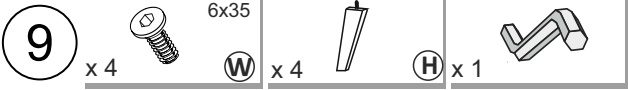


# FLOW CABINET



$$a=b$$

# FLOW CABINET



# FLOW CABINET

