

# GEJST



## CALY

---

Michael Rem, 2020

**Type**      Pendant Lamp

---

Caly is a sculptural pendant where form is created through the tension of fabric. What began as a playful exploration of stretchable textiles evolved into a refined and poetic design that balances light, volume and material in a calm, timeless expression.

Elegant and versatile, Caly feels at home above dining tables, in bedrooms and hallways as well as in larger spaces such as hotels and offices. Used individually or in clusters, the pendant adds both atmosphere and architectural presence.

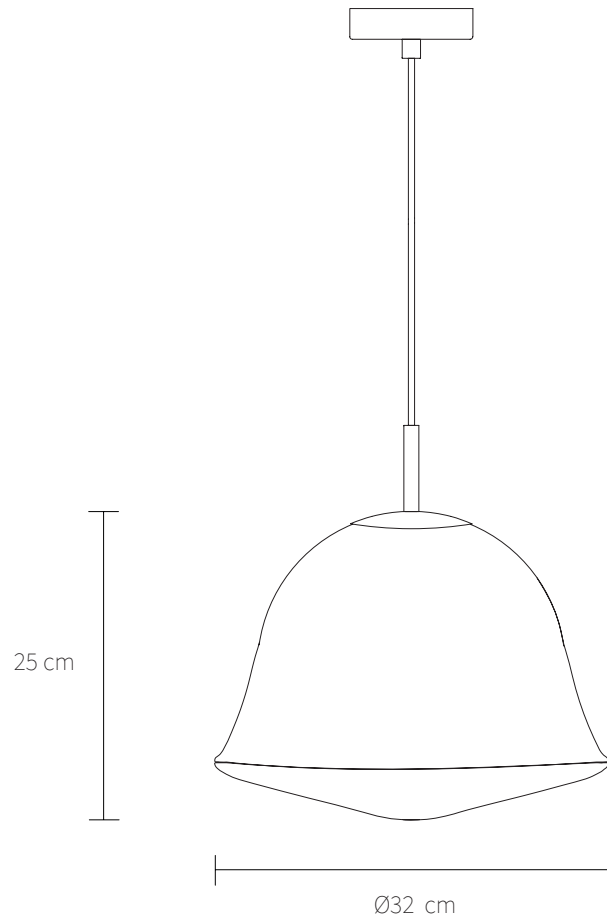
The light spreads softly and evenly through the textile - almost like studio light - creating a warm and welcoming ambience. The carefully selected fabric combines stretchability, bright whiteness and subtle texture, ensuring both technical performance and a rich, tactile character.

Modern and simple, refined yet alive, Caly reflects Gejst's design philosophy. Behind its classic appearance lies an innovative construction that makes the pendant both timeless and forward-thinking.

---

# GEJST

## SPECIFICATIONS



---

Product category	Lighting	
Item no.	White:	40200
EAN code	White:	5712731402002
Country of origin	China	
Tarif	9405209990	
Materials	Glass/Textile	
Colour	White	
Product dimensions (H x L x W)	Ø32 - 25 cm x 32 cm x 32 cm	
Packaging dimensions (H x L x W)	31 cm x 37 cm x 37,5 cm	
Product weight	1,24 kg	
Cleaning	Use a soft dry cloth to clean the product Do not use household cleaners.	

---