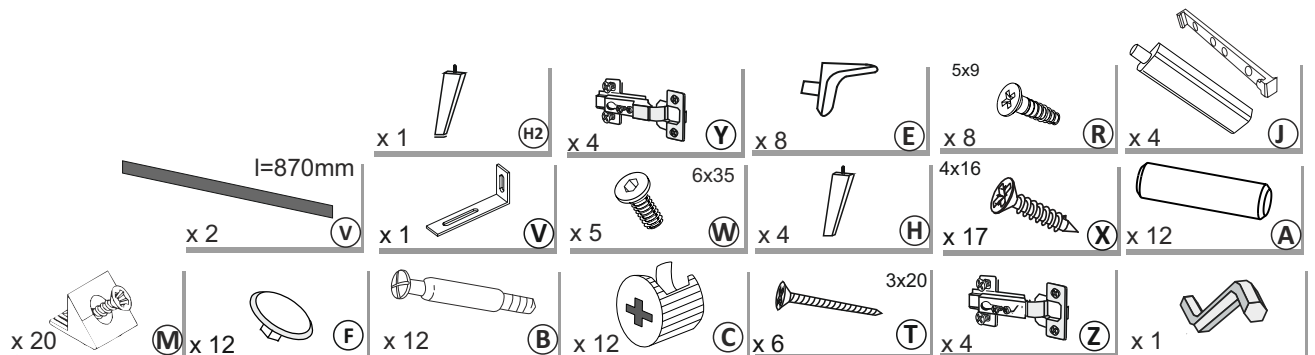
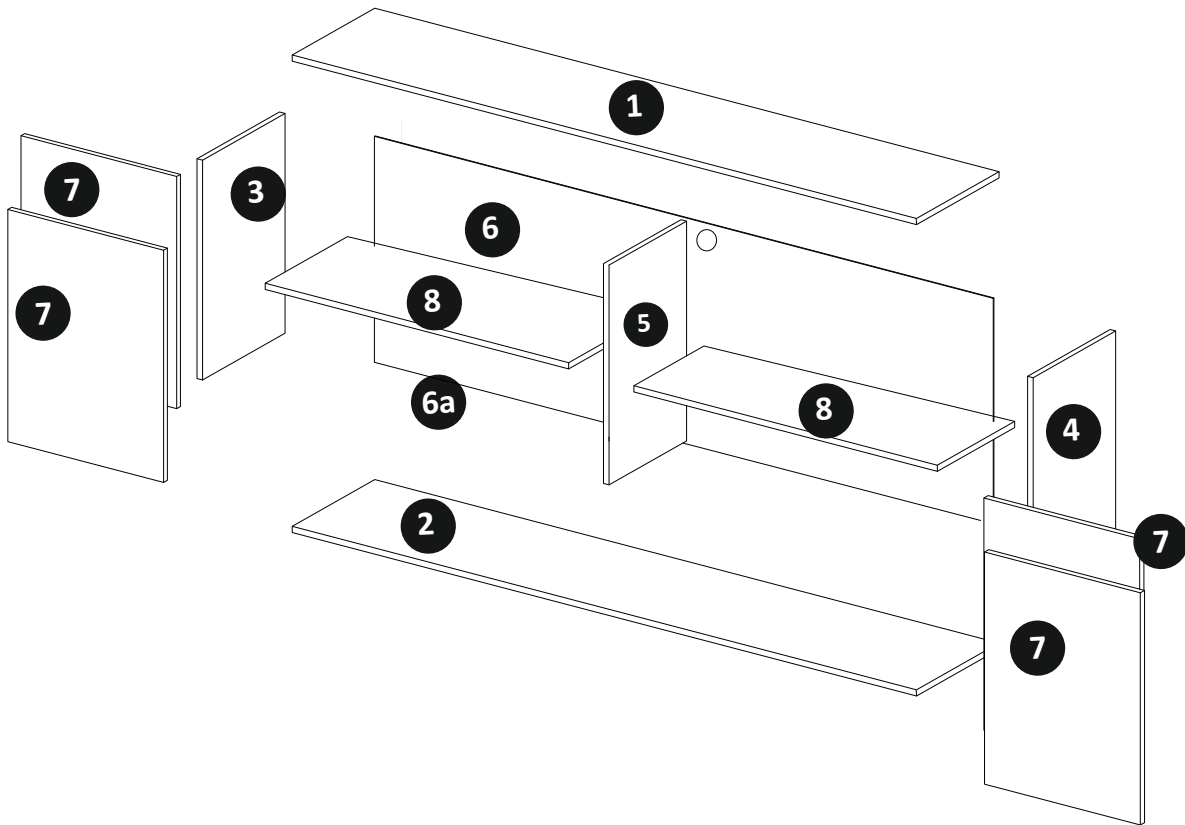
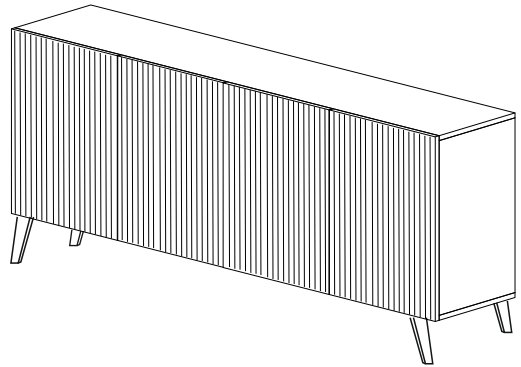


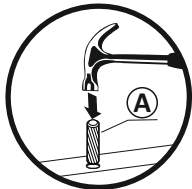
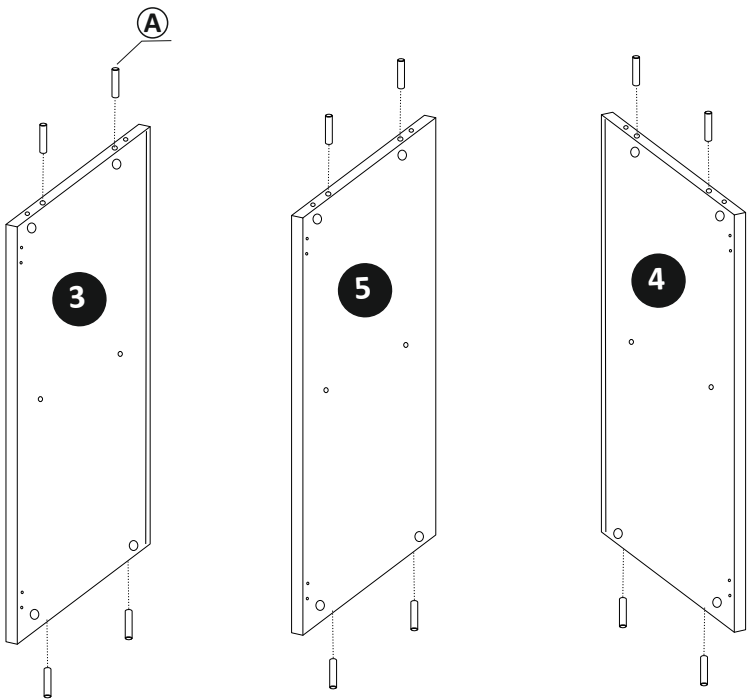
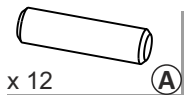
DEPARTMENT

FLOW SIDEBOARD

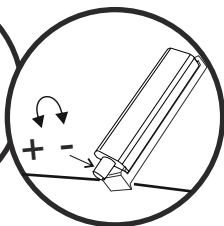
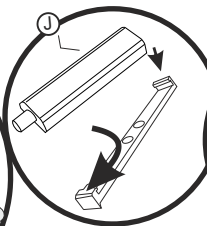
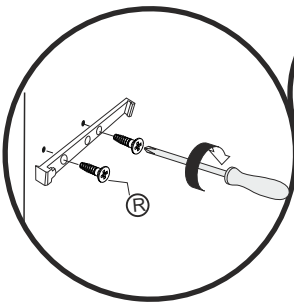
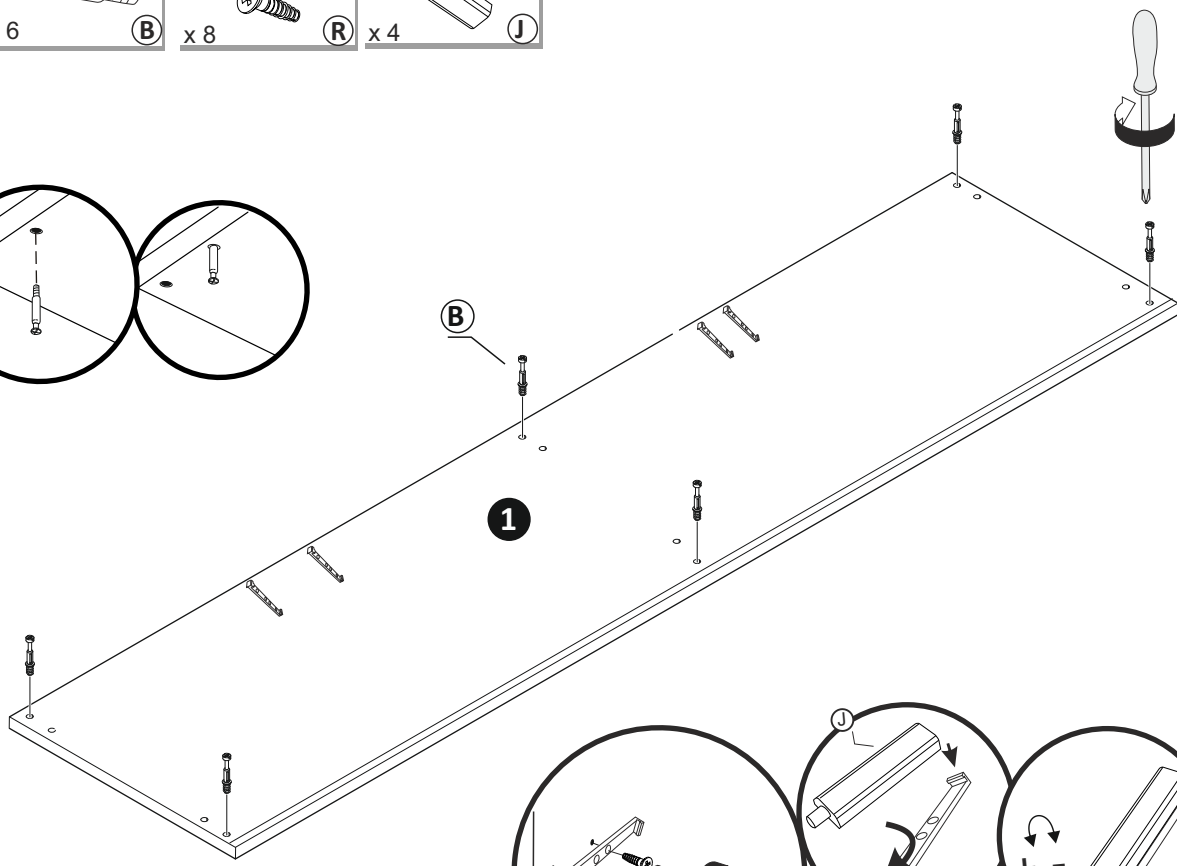
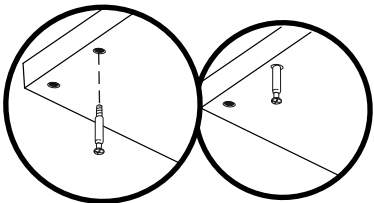
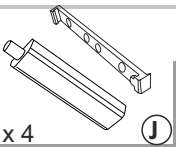
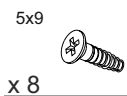
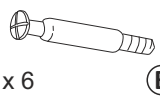


FLOW SIDEBOARD

1

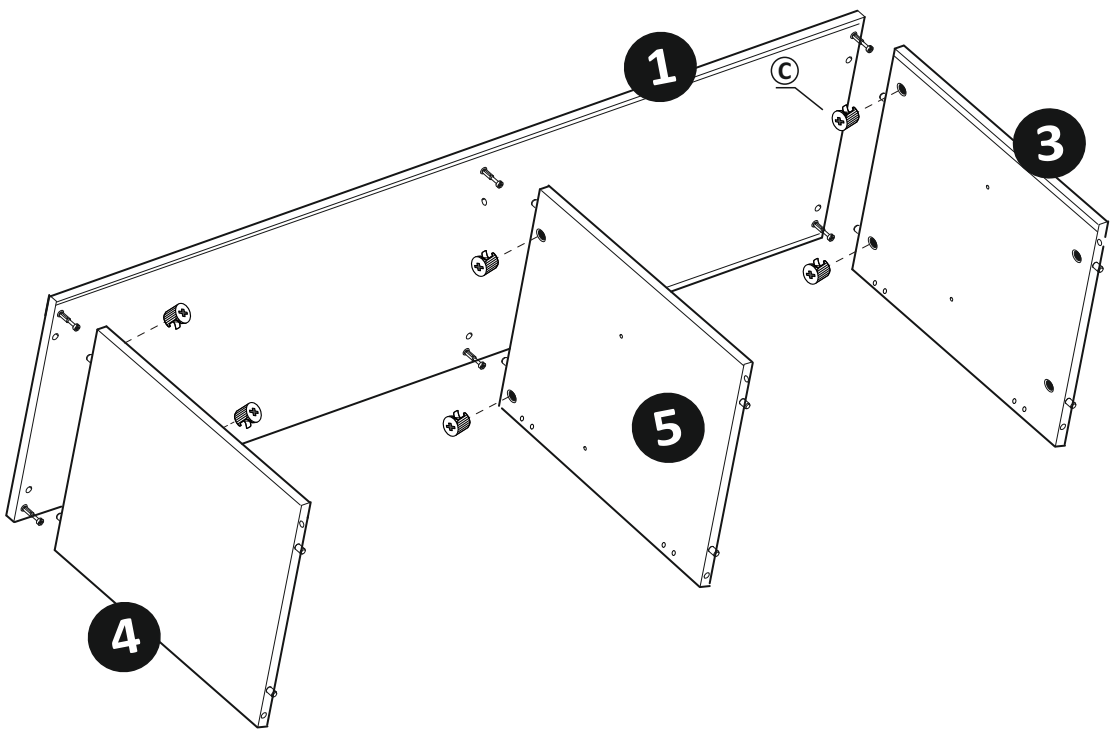
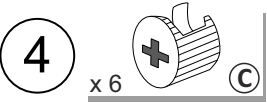
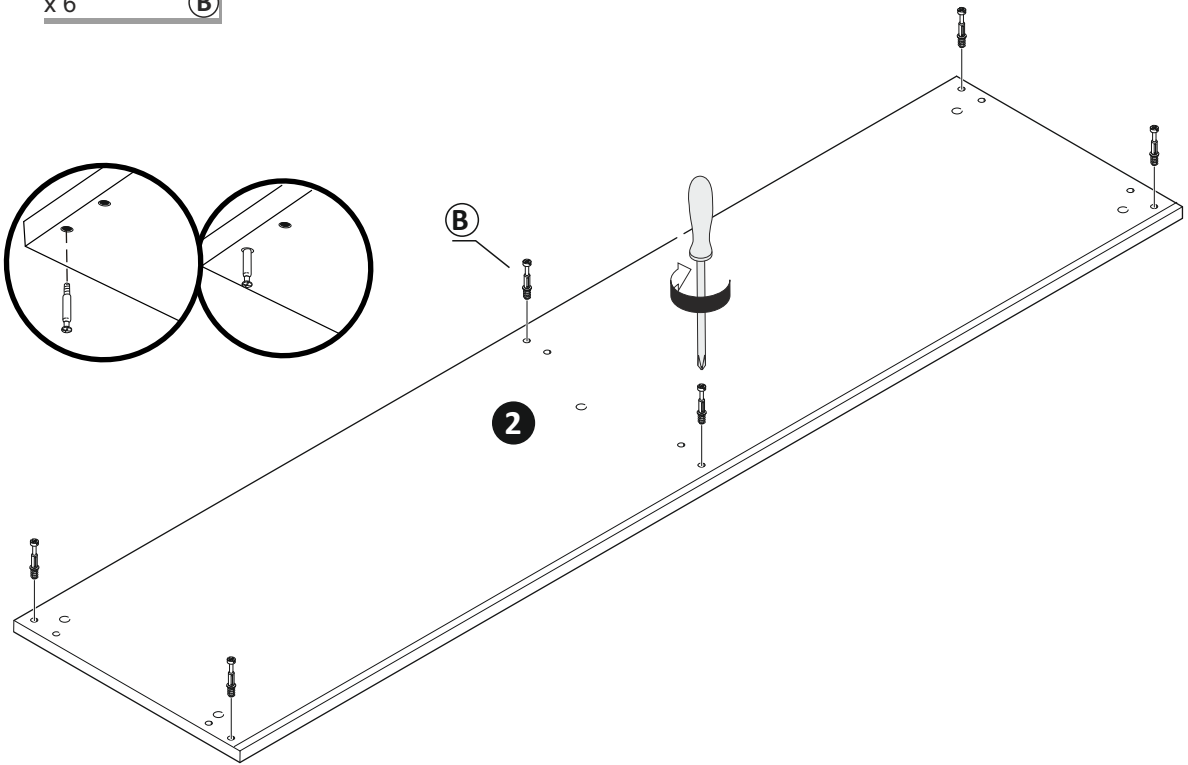
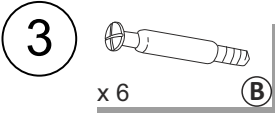


2

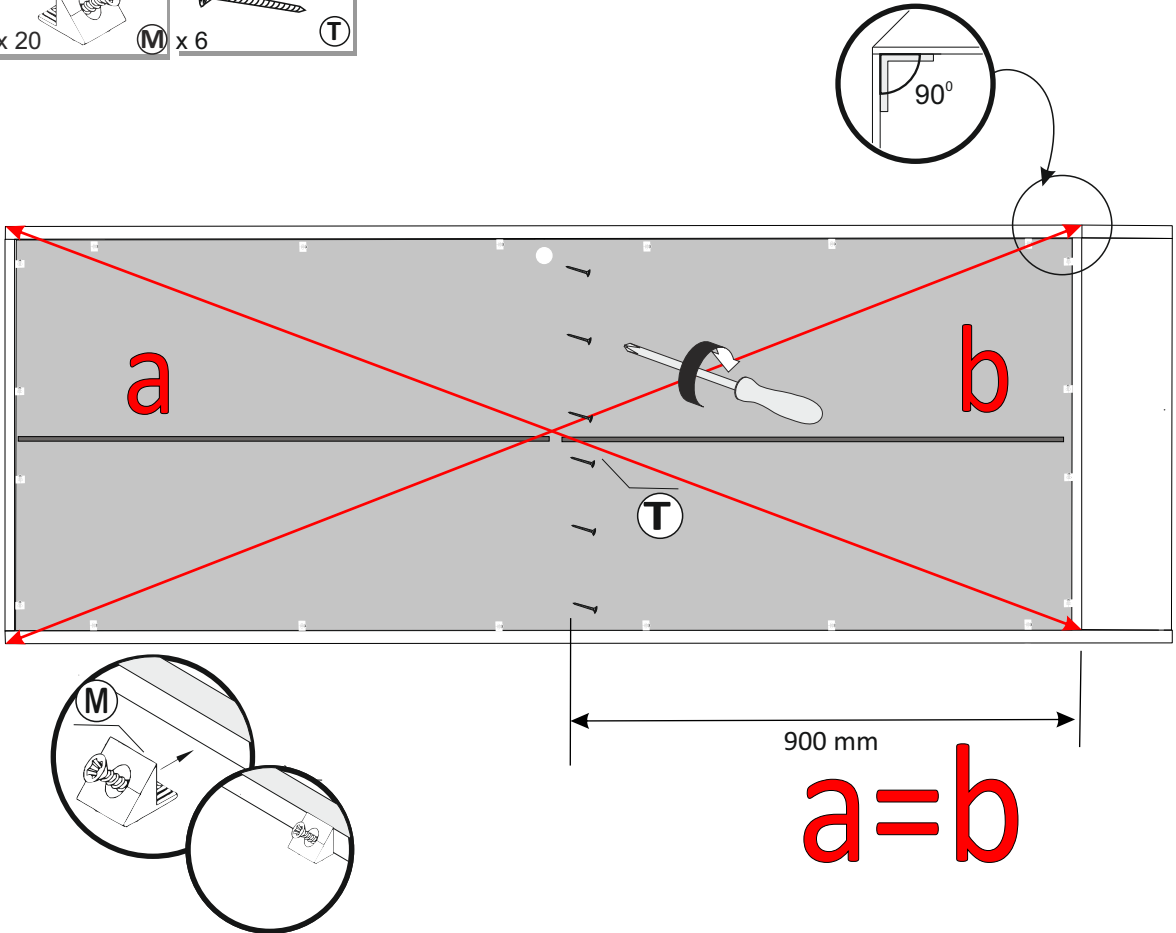
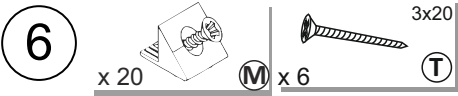
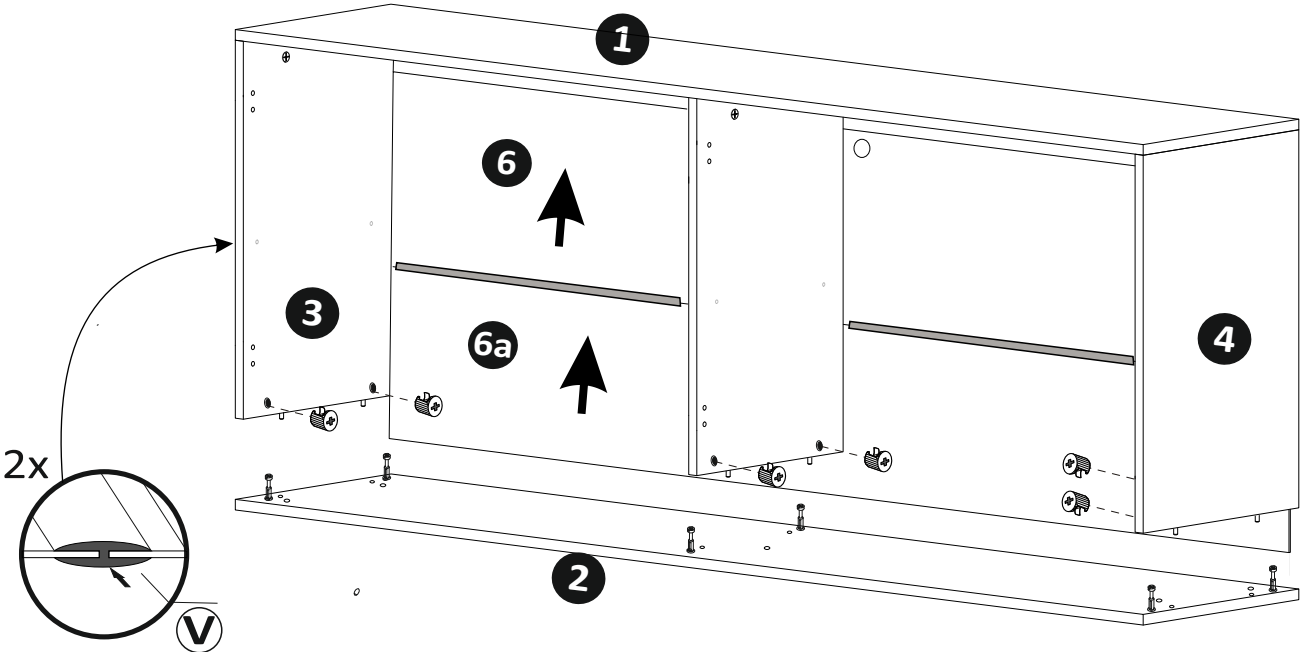
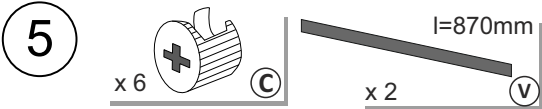


2

FLOW SIDEBOARD

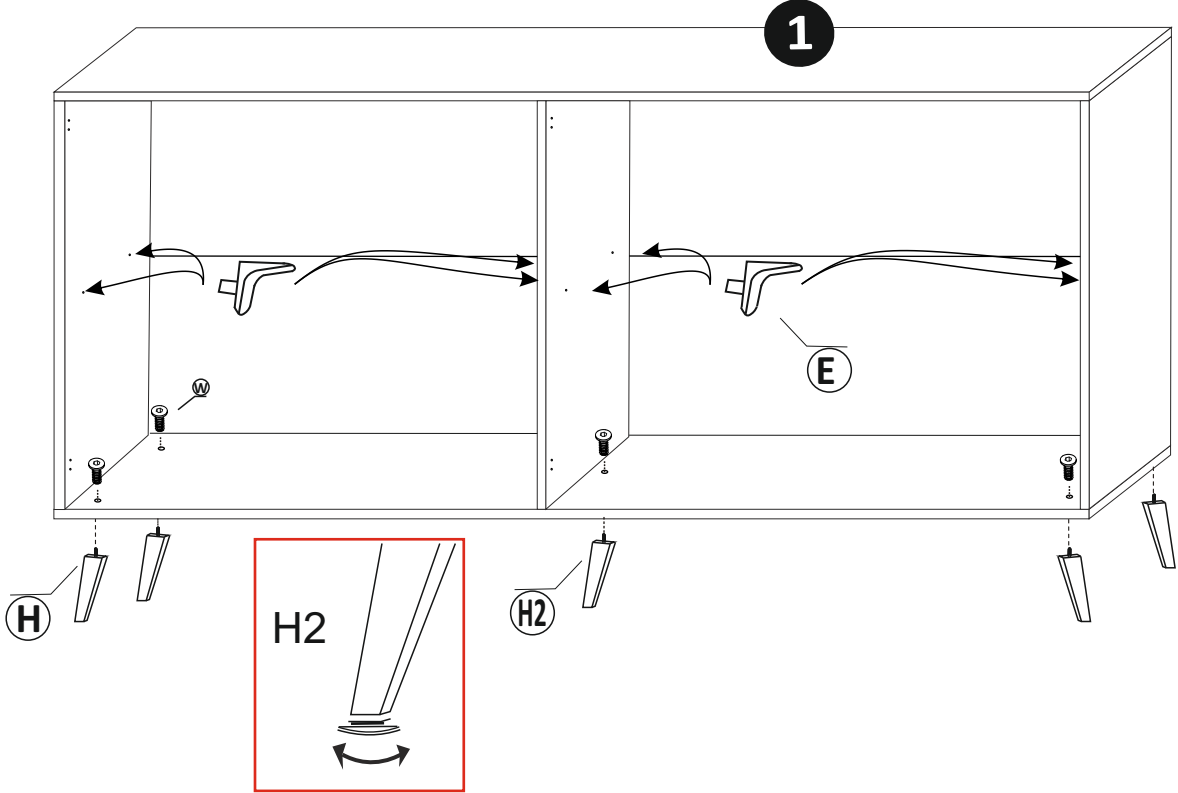


FLOW SIDEBOARD

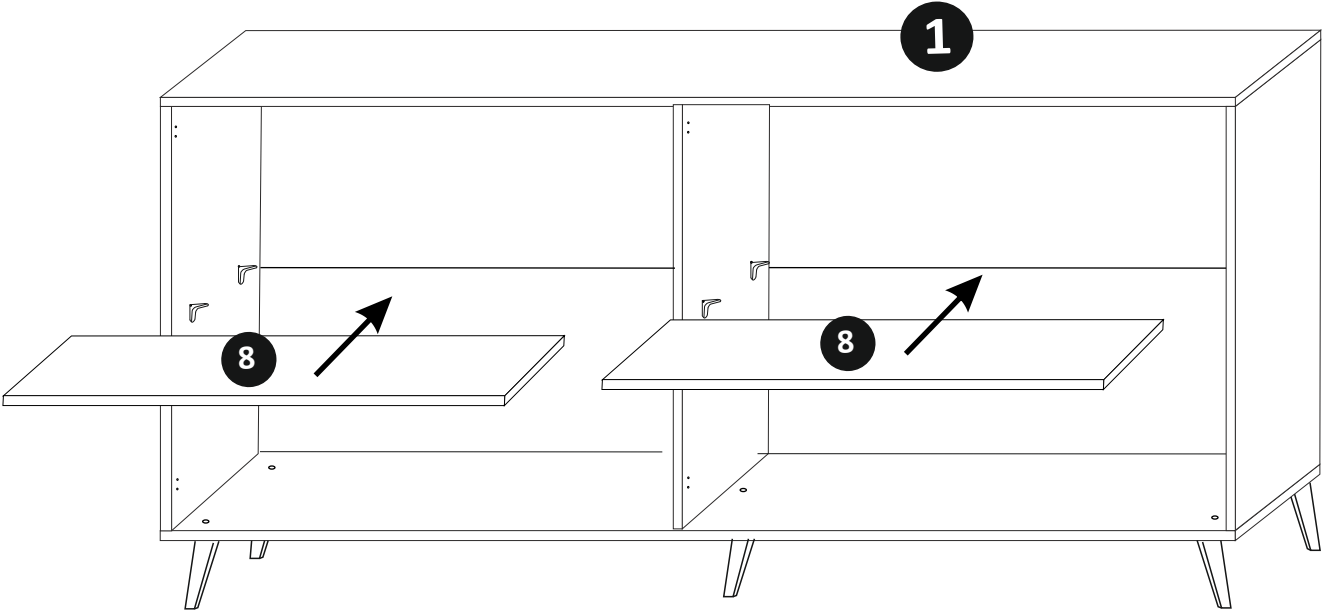


FLOW SIDEBORD

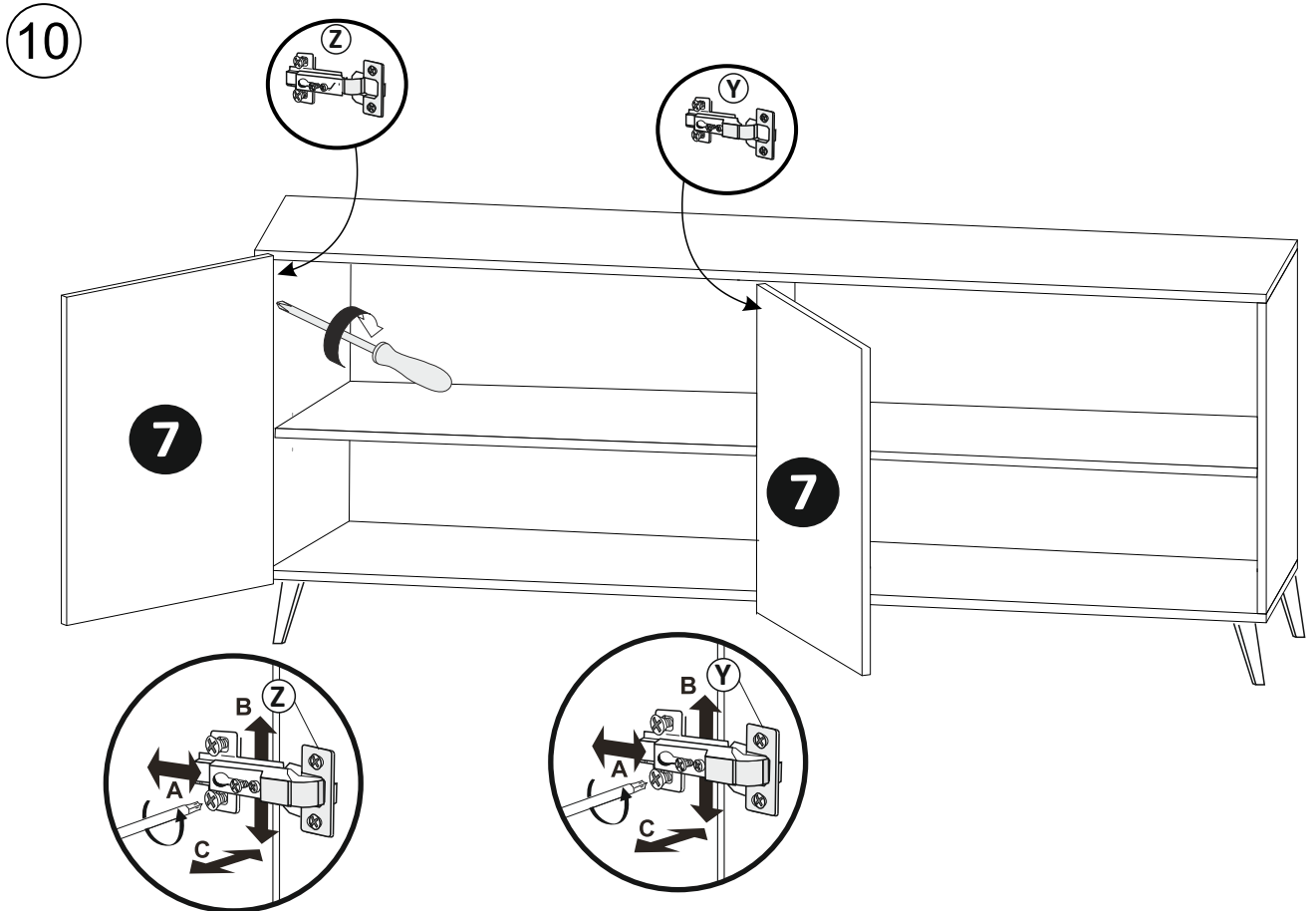
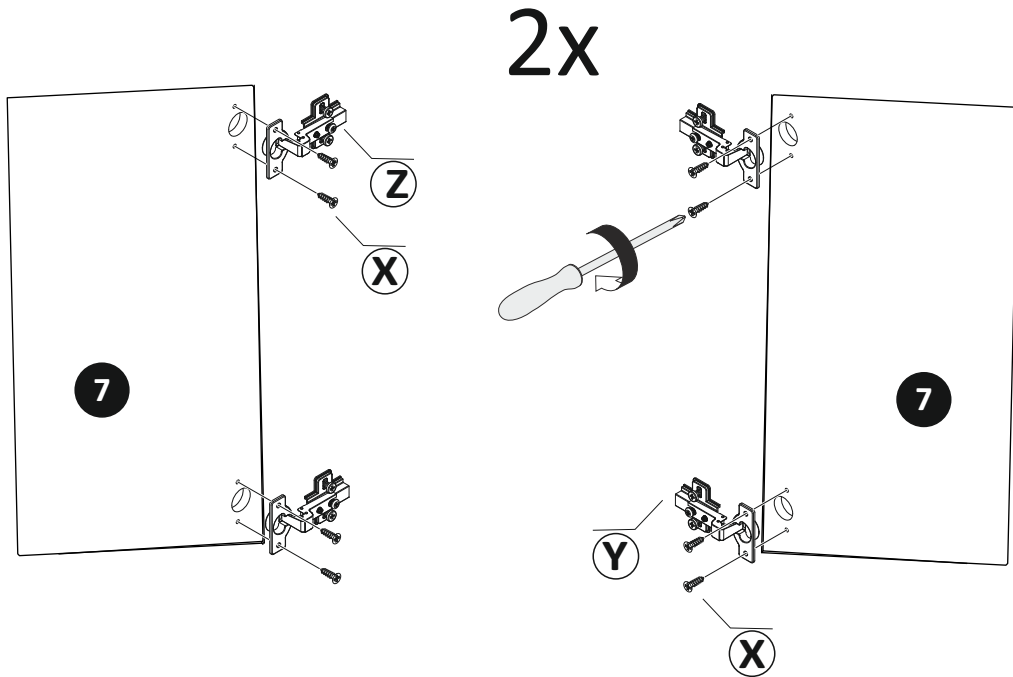
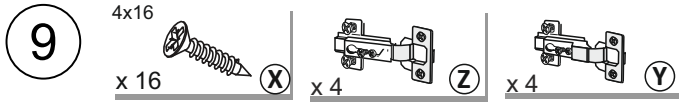
7



8

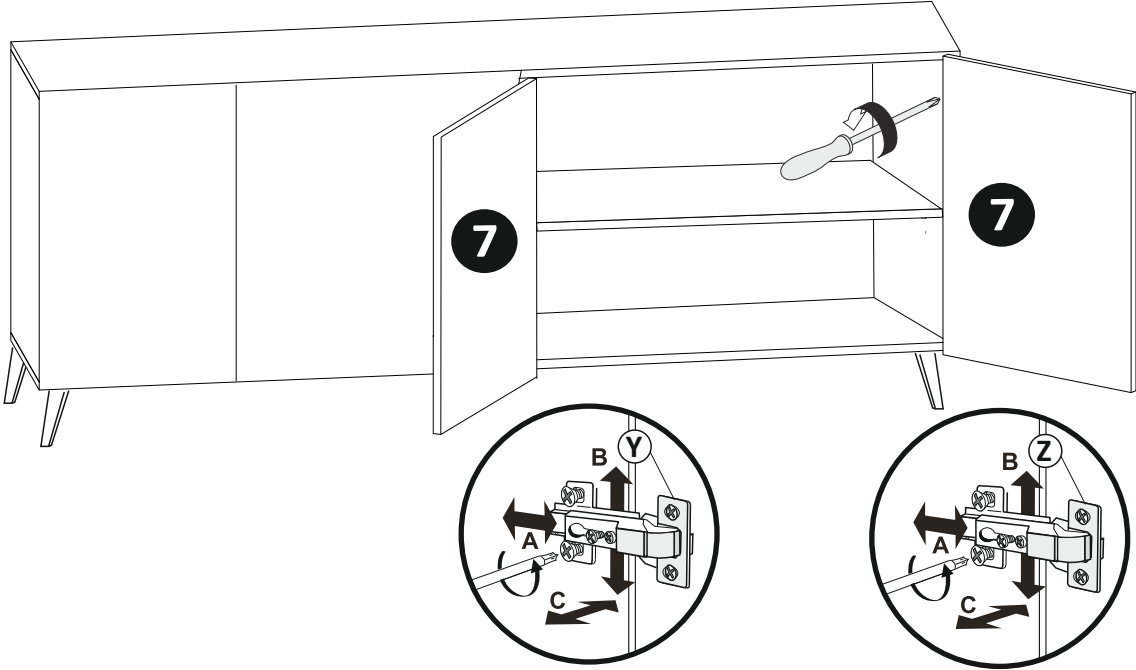


FLOW SIDEBOARD

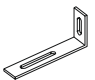




FLOW SIDEBOARD

11



12

- x 1  V
- x 1  X
- x 12  F

